



GreenPerform Highbay G3

BY698P LED200/CW PSD WB L3000 EN

865 cool daylight - Power supply unit with DALI interface - Wide beam

Following the successful introduction of the GreenPerform Highbay G2 in 2013, while continue providing the superior light quality, long service lifetime, reduced energy consumption and less maintenance, the new generation Highbay seamlessly integrates state-of-the-art LED lighting with an easy-to-use and reliable wireless ZigBee control solution. When the situation on the work floor changes, settings such as dimming levels and timing can be changed wirelessly by the end-users themselves. Luminaires can be combined in groups across the layout, and re-zoning them does not require a hardware change, thus minimizing commissioning costs. The system delivers savings over and above the actual efficiency of the LEDs and is future-proof. Easy to understand, easy to design-in, and easy to use, it's a smart way to light up your business.

Product data

General Information			
Beam angle of light source	- °	Connection	Flying leads/wires
Light source color	865 cool daylight	Cable	Cable 3.0 m without plug
Light source replaceable	No	Protection class IEC	Safety class I
Number of gear units	1 unit	Glow-wire test	Temperature 650 °C, duration 5 s
Driver/power unit/transformer	Power supply unit with DALI interface	Flammability mark	For mounting on normally flammable surfaces
Driver included	Yes	CE mark	CE mark
Optic type	Wide beam	ENEC mark	-
Luminaire light beam spread	100°	Warranty period	3 years
Control interface	DALI	Constant light output	No
		Number of products on MCB of 16 A type B	8

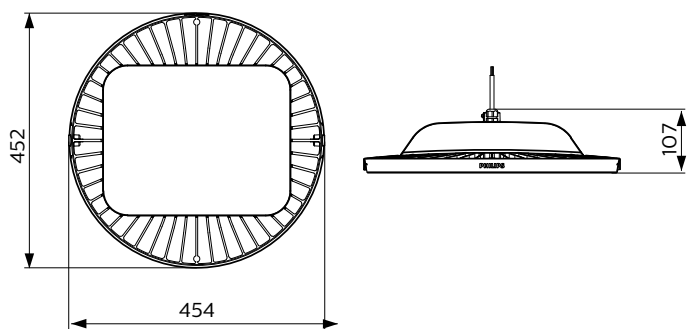
GreenPerform Highbay G3

RoHS mark	-
Operating and Electrical	
Input Voltage	220-240 V
Input Frequency	50 to 60 Hz
Inrush current	53 A
Inrush time	0.3 ms
Power Factor (Min)	0.95
Controls and Dimming	
Dimmable	Yes
Mechanical and Housing	
Housing Material	Aluminum die-cast
Reflector material	-
Optic material	Polycarbonate
Optical cover/lens material	Polycarbonate
Fixation material	-
Optical cover/lens finish	Clear
Overall height	107 mm
Overall diameter	452 mm
Approval and Application	
Ingress protection code	IP65 [Dust penetration-protected, jet-proof]
Mech. impact protection code	IK07 [2 J reinforced]
Initial Performance (IEC Compliant)	
Initial luminous flux	20000 lm
Luminous flux tolerance	+/-10%

Initial LED luminaire efficacy	129 lm/W
Init. Corr. Color Temperature	6500 K
Init. Color Rendering Index	>80
Initial chromaticity	(0.31, 0.32) SDCM <5
Initial input power	155 W
Power consumption tolerance	+/-10%
Over Time Performance (IEC Compliant)	
Driver failure rate at 5000 h	1 %
Median useful life L70B50	50000 h
Median useful life L80B50	40000 h
Median useful life L90B50	30000 h
Application Conditions	
Ambient temperature range	-30 to +50 °C
Maximum dim level	10%
Suitable for random switching	No
Product Data	
Full product code	911401845399
Order product name	BY698P LED200/CW PSD WB L3000 EN
Order code	911401845399
Numerator - Quantity Per Pack	1
Numerator - Packs per outer box	1
Material Nr. (12NC)	911401845399
Net Weight (Piece)	5.100 kg



Dimensional drawing



GreenPerform High-bay gen3 BY698P

GreenPerform Highbay G3

