

Val-U-Pak Plus (77L)

CORE & COIL HID HPS BAL 1000W S52 5-TAP KIT WITH LAMP

Our VAL-U-PAK Plus magnetic HID replacement kits assemble the required components — including lamp, core and coil, the appropriate capacitor, ignitor (where required), mounting bracket and hardware, and instructions — in one convenient package. This saves valuable time for MRO and contractor applications.

Product data

• General Characteristics

Lamp Type	1000W HPS
Number of Lamps	1 piece
Line Voltage	120/208/240/277/480 V
Input Current (Operating)	9.28/5.32/4.68/4.03/2.31 A
Line Frequency	60 Hz
Circuit Type	CWA
Ballast Type	Magnetic HID
Base Model	77L8753
Core Size	4 1/4 x 6
Suitable for Outdoor use?	Yes
Ignitor Catalog Number	LI571-H5
Ignitor Temp Rating	105°C
Capacitor value [µF]	26 MFD
Capacitor Catalog Number	RW1626020
Capacitor Requirements	525V
Capacitor Temp Rating	90°C
Capacitor Dia/Oval Dim	1.75 in
Capacitor Height	4.25 in
Family Name	Core & Coil HPS

• Operating Characteristics

Automatic restart	No
Input Voltage at Lamp Dropout	89/155/176/202/360 V
Nominal Open Circuit Voltage	437 V
Inp. Current (Open Circuit)	3.9/2.19/2.01/1.71/0.96 A

Input Current (Starting)	7.8/4.38/3.82/3.3/1.9 A
Input Current Short Circuit	5.83-8.74/3.36-5.05/2.92-4.38/2.53-3.8 /1.46-2.19 A
Secondary ShortCircuit Current	6.24-7.63 A
Input Power Gear	1100 W
Constant wattage deviation	Within Trapezoid
Ballast factor	1 -
Power Factor	0.90

• Wiring Characteristics

Wire Striplength	0.5 mm
Wire Length by Color	12"
Wire Type	Stranded
Allowed Wiring Config(Remote)	Yes
Max Dist. Ball to Lamp(Remote)	15'
Recommended Fuse	25/15/12/10/6 A

• System Chars on driver level

Rated Lamp Watts	1000W
------------------	-------

• Product Dimensions

Length A1	6 in
Length A2	5.4 in
Length A3	4.4 in
Width B1	4.3 in
Coil Depth C1	6 in
Stack Height C2	3.97 in
Width B2	3.9 in

PHILIPS

Val-U-Pak Plus (77L)

• Approval & Application Chars

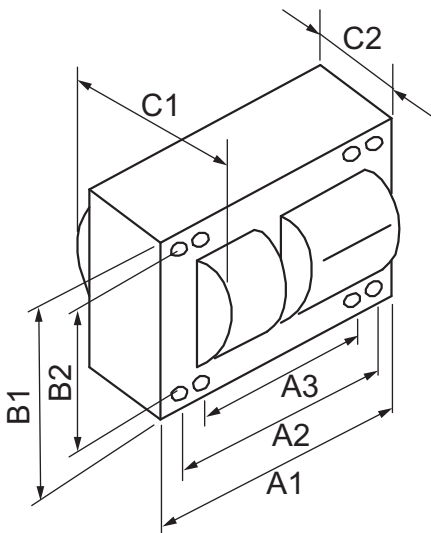
Approbation Marks	ULR, CSA, RoHS
CE marking	No
VDE certificate	No
UL Listed	No
CSA certificate	Yes
CCC certificate	No
China Quality Certificate	No
Temperature marking	C/C/C/C/C
CEC Listing	No
cUL certificate	No
EISA	No
ETL Certificate	No
FIDE Certificate	No
NOM certificate	No
RoHS Compliant	Yes
SASO Certificate	No
UL Recognized	Yes
ANSI Code	S52

HiPot Test (1 minute)	2000 V
HiPot Test (2 seconds)	2500 V
Open Circ Voltage Test (Volts)	390-476 V
UL Insulation Class	H(180°C)
UL Temperature Code	1029C

• Product Data

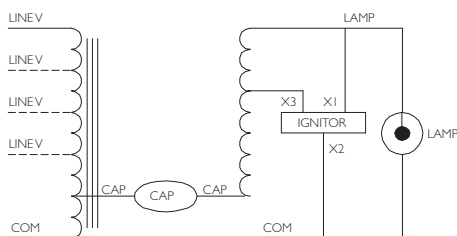
Product number	77L8753001
Full product name	HPS BAL 1000W S52 5-TAP KIT WITH LAMP
Short product name	HPS BAL 1000W S52 5-TAP KIT WITH LAMP
Pieces per Sku	1
Skus/Case	1
Bar code on pack	781087114223
Bar code on case	30781087114224
Logistics code(s)	913710411101
eop_net_weight_pp	15.418 kg

Dimensional drawing



CORE & COIL HID HPS BAL 1000W S52 5-TAP KIT WITH LAMP

Product	A1 (Norm)	A2 (Norm)	A3 (Norm)	B1 (Norm)	B2 (Norm)	C1 (Norm)	C2 (Norm)
HPS BAL 1000W S52 5-TAP KIT WITH LAMP	6	5.4	4.4	4.3	3.9	6	3.97





© 2015 Koninklijke Philips N.V. (Royal Philips)
All rights reserved.

Specifications are subject to change without notice. Trademarks are the property of Koninklijke Philips N.V. (Royal Philips) or their respective owners.

www.philips.com/lighting

2015, August 29
data subject to change